

FOR THE WINSTED DEALER NEAREST YOU
Call 1.800.447.2257 Or Fax 1.800.421.3839



winsted.com | info@winsted.com



WINSTED - LOCATIONS

WINSTED WORLD HEADQUARTERS
10901 Hampshire Avenue South
Minneapolis, MN 55438-2385 USA

TEL: 800.447.2257 • 952.944.9050
FAX: 800.421.3839 • 952.944.1546
EMAIL: info@winsted.com
WEB: winsted.com

WINSTED CUSTOM DIVISION
1750 Breckinridge Pkwy, Suite 100
Duluth, GA 30096-7576 USA

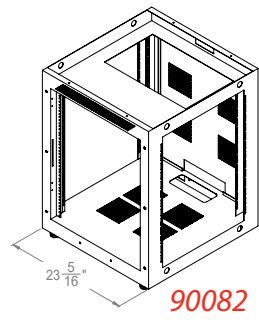
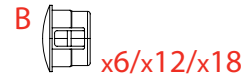
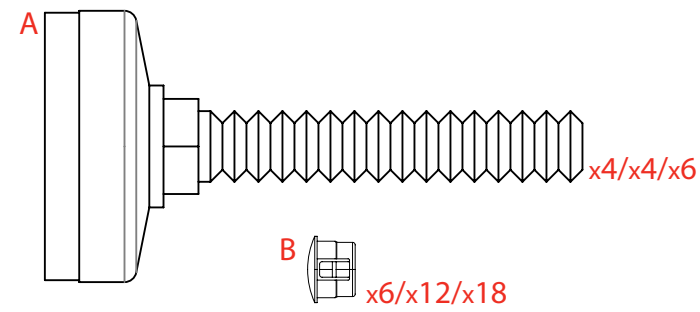
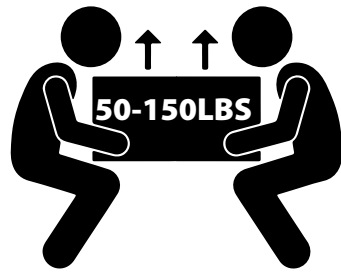
TEL: 800.237.5606 • 770.840.0880
FAX: 770.840.9685
EMAIL: custom@winsted.com
WEB: winstedcustom.com

WINSTED EUROPE - MIDDLE EAST
Unit D1 Sapphire Court
Isidore Rd, Bromsgrove Enterprise Park
Bromsgrove B60 3FL - UK

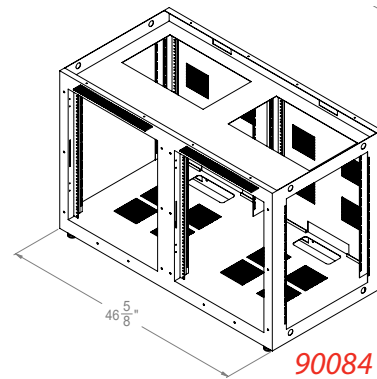
TEL: 44 (0) 1527 833714
EMAIL: info@winsted.co.uk
WEB: winsted.com

PARAMOUNT™

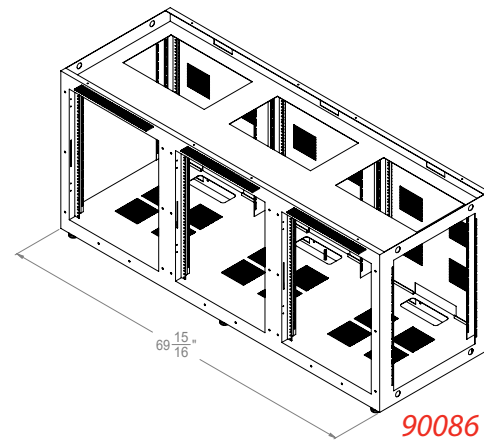
90082/90084/90086
1-BAY/2-BAY/3-BAY



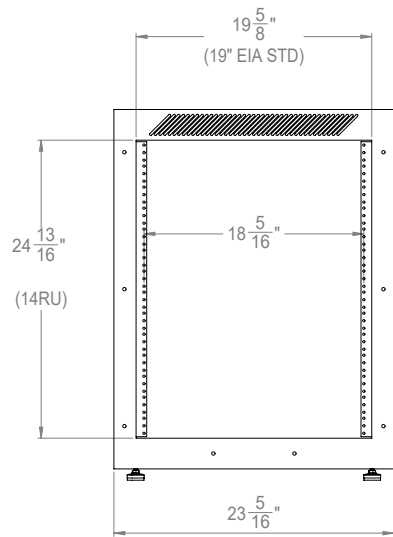
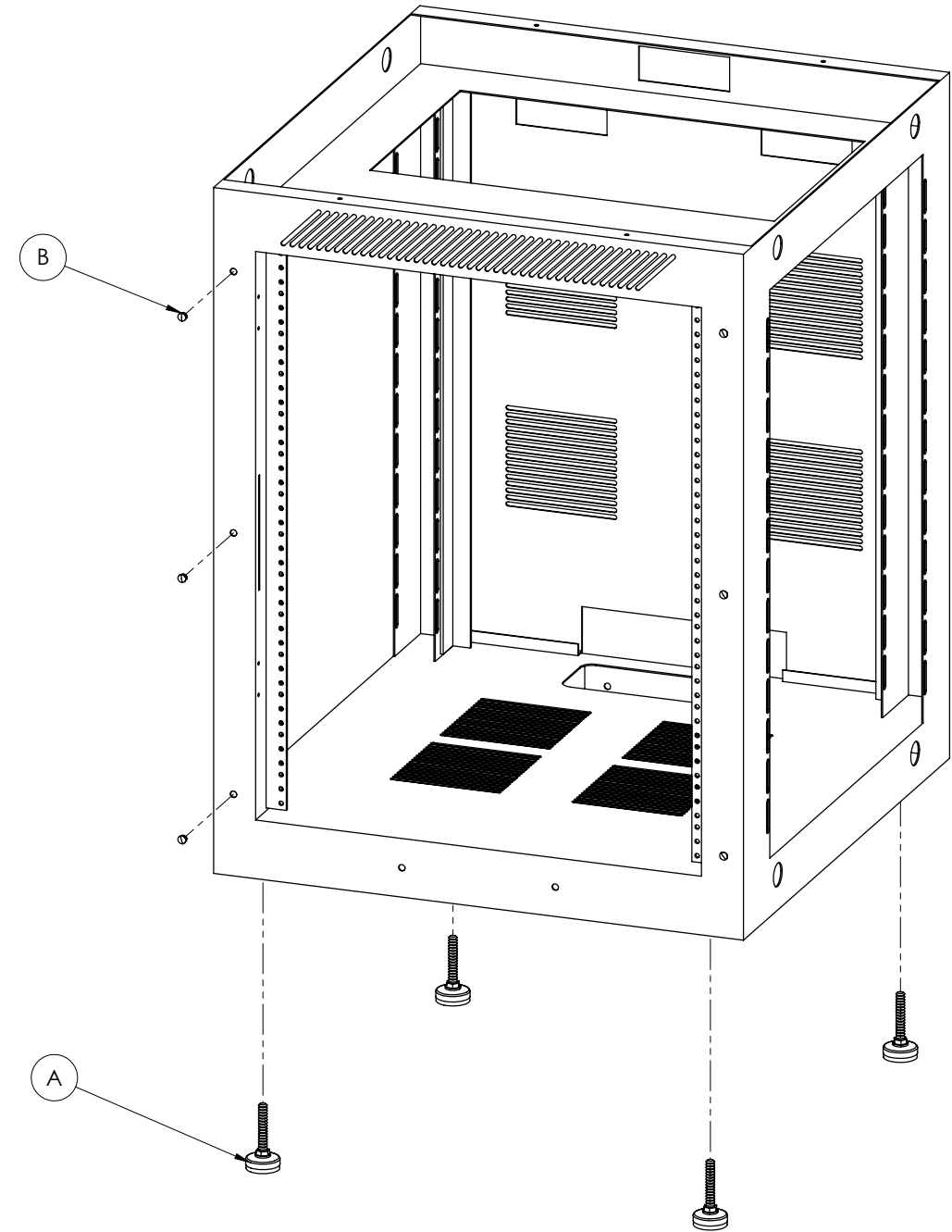
90082



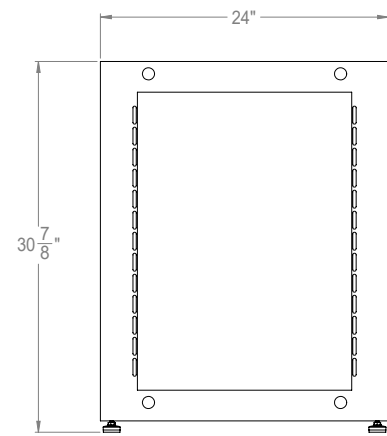
90084



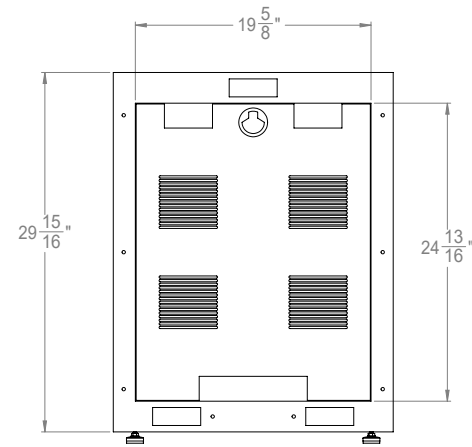
90086



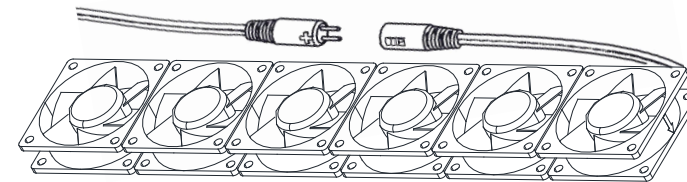
FRONT



SIDE



REAR



To deploy the cooling system simply connect the included power supply to the fan assembly. Ensure to align 'Tip' to '+' on the connector ends.

Determine the desired setting for the fan speed by adjusting the voltage on the power supply. Set the voltage as high as possible for the most airflow.

Blow or vacuum dust from the fan assemblies as necessary.