



# PINNACLE TECHNOLOGY FURNITURE

**Exceptional Engineering & Craftsmanship. Exceptional Operator Experience.**



Pinnacle Technology Furniture offers the ultimate in configurability, optimal cable management, seamless technology integration, and enhanced serviceability. The Pinnacle Collection features consoles, technology cabinets, credenzas, peninsulas, and drawer cabinets.



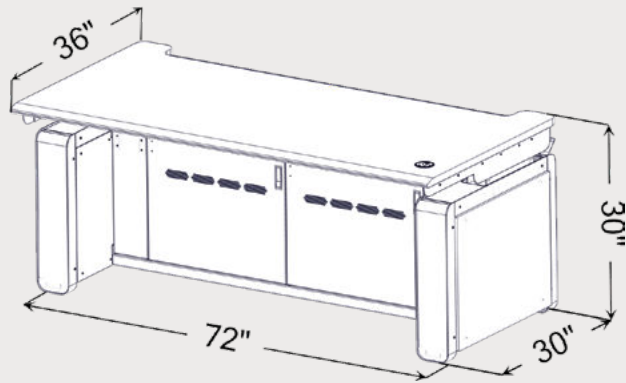
Contemporary design, with a meticulous attention to detail, built for technology integration.



Operational support and conference tables available with integrated technology storage.

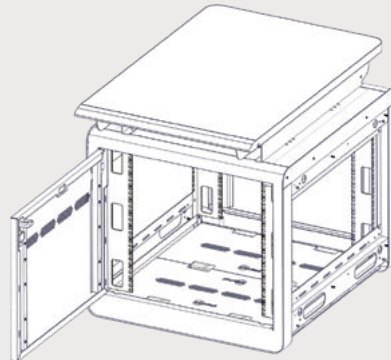
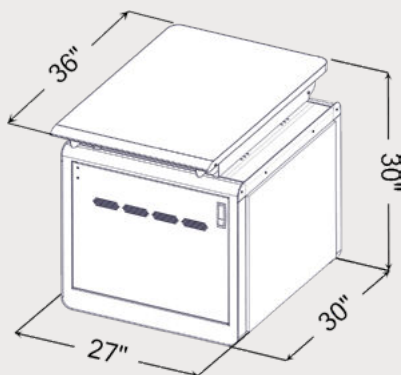
# PINNACLE TECHNOLOGY FURNITURE

Superior Cable Management. Exceptional Operator Experience.



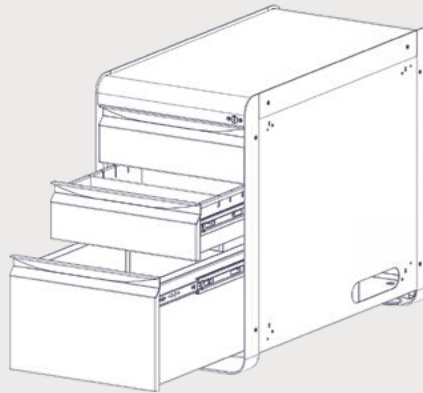
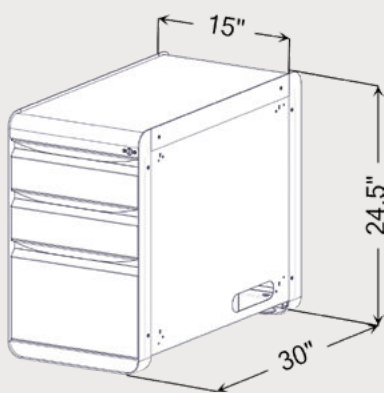
## CONSOLES

- 9" Forward-Sliding Worksurface
- Concealed Technology Tray
- 3-Tier Cable Management System
- Power-Actuated Sit | Stand
- Versa Track Mounting System
- Available Active Cooling
- Front & Rear Access
- Lengths of 60", 72", 84", and 96"



## TECHNOLOGY CABINET

- Seamless Console Integration
- Optional Worksurface
- Flexibility of 11U 19" Front-, Rear-, or Side-Mounted Equipment Racks
- Front & Rear Rack Rails & Tie Bars
- Integrated Cable Management
- Available Active Cooling
- Front and Rear Access



## DRAWER CABINET

- Seamless Console Integration
- Multiple Drawer Configurations
- Removable Back Panel with Integrated Cable Management
- Full-Extension Drawer Glides
- Optional Casters

LEARN MORE AT [winsted.com/pinnacle](https://winsted.com/pinnacle)